

DATA SHEET

Material

Aluminum

Colour

RAL9005

Surface treatment

Powder coating
ISO 12944, category C4

Protection class

Class I, must be connected to PE

Degree of protection

IK10

Measurement

Column: 100x100x1500mm
Roof: 335x335x3mm

Cable entry

90x90mm

Attachment to the ground

CC160mm, Ø25mm x 4 (M20)

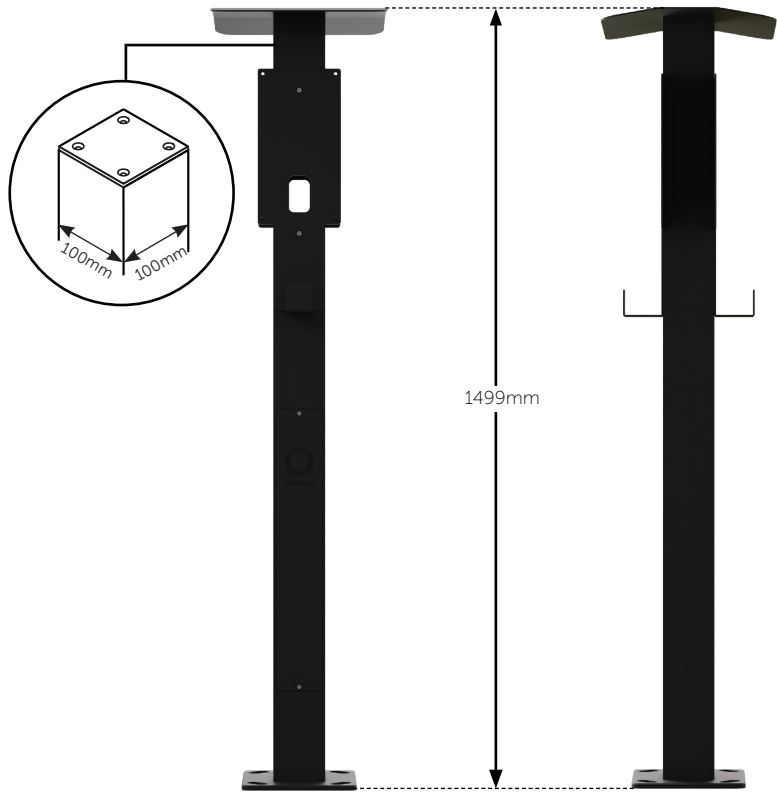
Connection set 4x w/earth

Electric number: 3640854

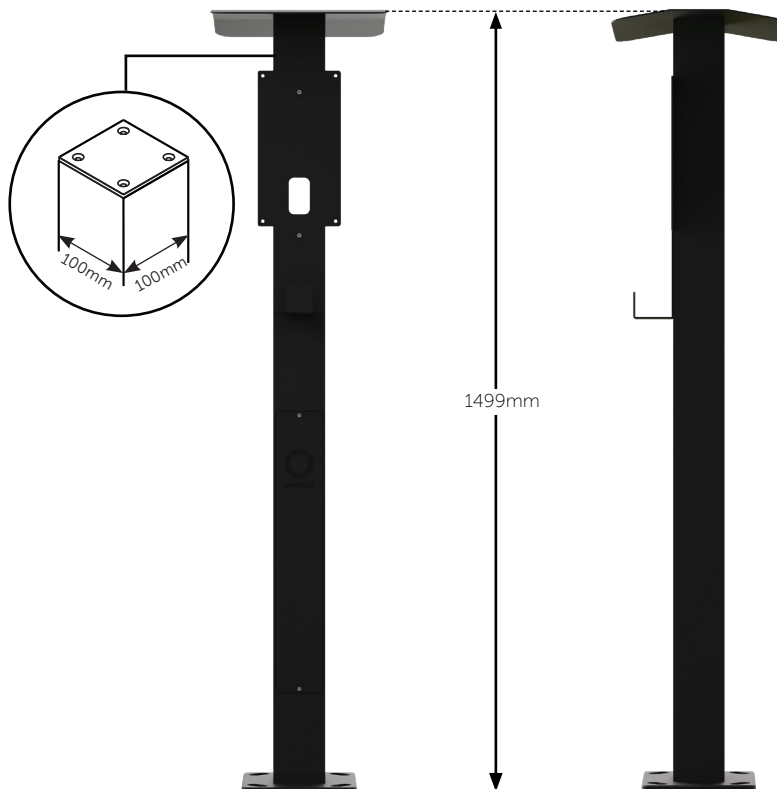
- Approved coss set AL cable: 10-50 mm²
- Approved coss set CU cable: 1,5-35 mm²
- Dismantling length: 17 mm
- Tightening torque: 10 Nm
- Max voltage: 450V
- Max load: 63A

Example of base

Anchoring frame CC160, M20x400 (No.: 3640400)
Dredging base CC160/M20 (No.: 3640427)



Q675 - OnePole 1500 1+1 Zaptec with roof



Q66Z - OnePole 1500 1+0 Zaptec with roof



ONE SYSTEM
ENDLESS POSSIBILITIES

Data sheet | 2021 | www.onepole.no

rev.1.0 | 10.06.2021

PRODUCED AND DESIGNED IN NORWAY

